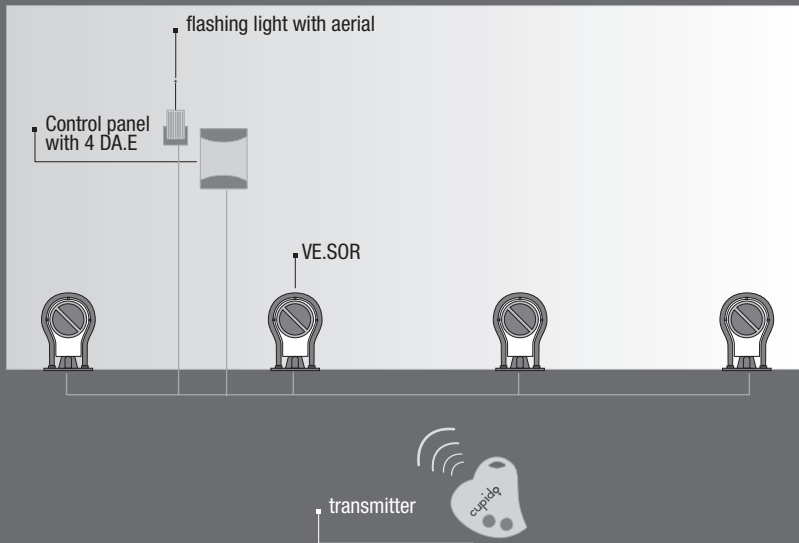
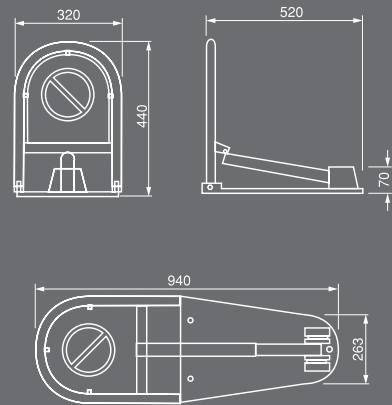


INSTALLATION DRAWING



DIMENSIONS



SUGGESTED ACCESSORIES

DA.S04



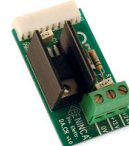
Control unit, for max. 4 VE.SOR, prepared for plug-in receiver
N.B. 1 module DA.E each VE.SOR is required

DA.E



Module for VE.SOR (one DA.E each VE.SOR)

DA.RB



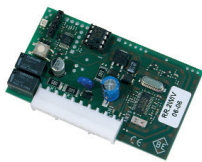
Battery charger card for DA.S04

DA.BT2 DA.BT6



6Ah 12V DC battery
2.1Ah 12V DC battery

RR.2WIV



2 channels plug-in rolling code receiver. Suitable only for rolling-code transmitters.
Memory capability up to 512 codes.

RR.2WBV



2 Channels rolling code receiver with plastic box and terminals. Suitable only for rolling-code transmitters.
Memory capability up to 512 codes.

CU.2RWV



2 channels rolling-code transmitter

CU.4RWV



4 channels rolling-code transmitter

